

72



**ENTRANCE DOOR**  
**SPECIFICATION SHEET**

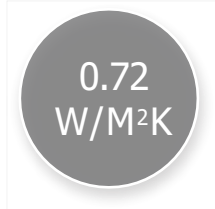
## SYSTEM OVERVIEW

---

Centre panel U value

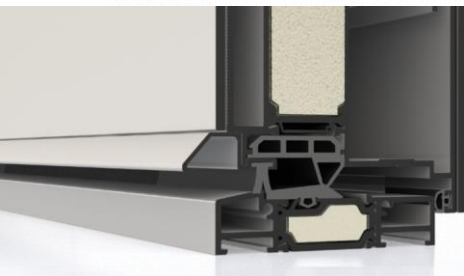


Overall U value\*



Overall U-value for single doors without glass inserts up to 2.5m high **0.72W/m<sup>2</sup>K**.

Door with or without glass inserts with sidelights and top lights **0.84W/m<sup>2</sup>K**.



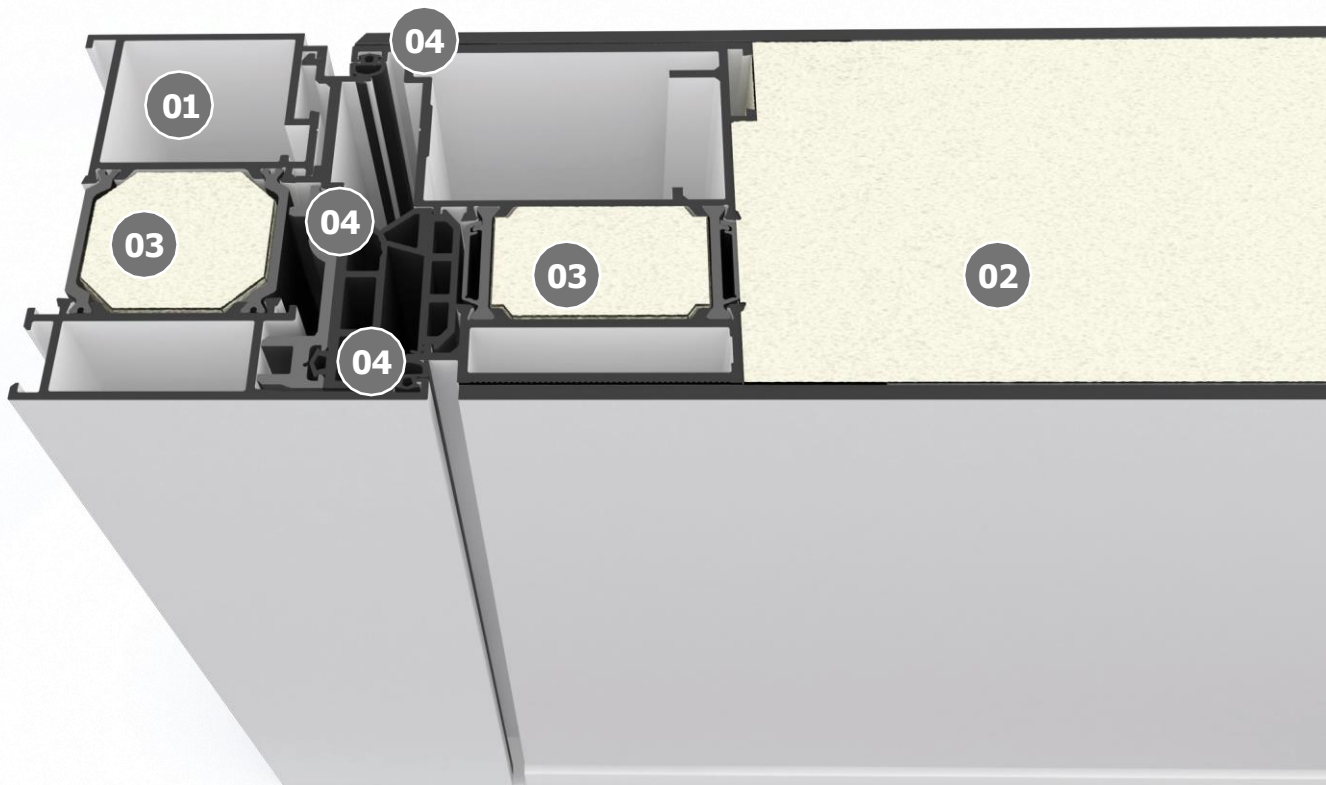
Drip bar as option for higher weather tightness



\*Door being up to 2500mm high



- 01** Aluminium outer frame  
88,5mm extruded outer frame with mitered corner joints, mullions and transoms are mechanically jointed.  
Single framed doors have a 66.5mm sightline, doors with sidelights and top lights have a 74.5mm sightline.  
Mullions are 95mm, transoms are 76mm or 95mm.
- 02** Aluminium insulated panel  
88,5mm bonded PU foam filled panel, including 3mm internal and external skin.
- 03** Thermal breaks  
Aluminium extrusions separated with polyamide thermal breaks reinforced with glass fiber and additional PU insulated chamber.
- 04** Seals  
All doors are fitted with 3 level EDPM seals in black as standard
- 05** Threshold  
Low threshold with thermal break ensures seamless access and weather-tightness.



## GLASS UNITS

---

### Door glass unit

Triple glazed 8.8mm laminated/32mm black warm edge spacer/5mm float/27mm black warm edge spacer/6.4mm laminated low-emissivity, argon filled. Centre pane U-value 0.6 W/m<sup>2</sup>K

### Side glass unit

Triple glazed 6.8 laminated/24mm black warm edge spacer/5mm float/27mm black warm edge spacer/6.4mm laminated low-emissivity, argon filled. Centre pane U-value 0.6 W/m<sup>2</sup>K



U<sub>g</sub> value

0.6  
W/M<sup>2</sup>K

### Glass types

We offer different glass styles, such as Clear, Parsol Grey, Parsol Bronze, Etched Stripes and Satin.

Other options are available by request.

## LOCKING SYSTEM

---

Our Door System's comes with "Livius" Security Cylinders as standard, Internal Thumb Turn option is available on request, all profile cylinders are Anti-Bump, Pick and Drill protection preventing forced opening.

All doors have been manufacture using this cylinder keeping the PAS24 Standard on all entrance doors.

**FL01** KfV AS 2600 multi point looking as standard on all doors.

**FL02** KfV AS 3600 automatic locking with day-opener (optional).

**FL03** KfV AS 3600 part-motorised automatic locking on all fingerprint and keypad entry systems.



We offer alternative unlocking systems such as Ekey dLine fingerscanner or Ekey digital keypad.

Those systems offer intelligent access system that meets tomorrow's needs today such as keyless entry, convenient remote opening, automatic push notifications, practical virtual assistant and much more.

## SECURITY PERFORMANCE

---



**bsi.**

Single leaf, opening inwards doors have been tested to **PAS24:2016** by British Standards Institute. (Test report available on request).

Test size of door: 2800mm wide (1300mm door width and 1500mm sidelight width) by 3000mm high.

## WEATHER PERFORMANCE

---

**bsi.**

Our door are tested in accordance to **BS 6375:2015 Weather Direct Test with BSI** and **Evidence of Performance with IFT Rosenheim.**

**Air permeability CLASS 4**  
according to EN 12207:1999-11

**Watertightness CLASS 5A**  
according to EN 12208:1999-11

**Wind resistance CLASS C4/B4**  
according to EN 12210:1999-11

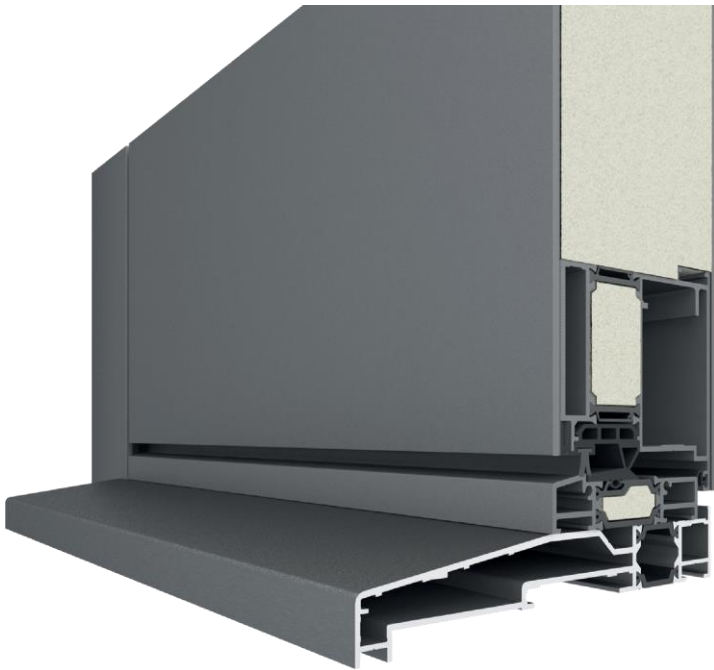
**Airbourne sound insulation**  
EN ISO 717-1          44 dB



## EXTERNAL PROJECTING CILLS

---

Aluminium cills are colour matched to customers specification. 22mm high at 98mm, 160mm, 200mm, or 240mm with cill end caps included.



## TRICKLE VENTILATION

---

Trickle ventilation can be adapted to the head section of the door with the enhancement of various add-on profiles color coded to customer's requirements. Available in black, grey, and white fixed through a minimum 40mm colour matched frame extension to the head.



### Hinges

Hinges available anodised or colour matched, with anodised concealed hinges available on request. Tested up to 200.000 cycles\* which equals the period of 15 years (37 cycles per day)

\* 1 cycle is opening and closing the door once



### Levers and handrails

Stainless steel handrails available in multiple designs and lengths.

Stainless steel lever handles available in four designs.

Handrails can be powder coated colour matched by request. Marine Grade Stainless steel available upon request.

## DOOR CONFIGURATIONS

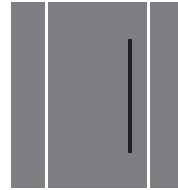
---



single door



single door  
with sidelight



single door  
with two  
sidelights



single door  
with toplight



single door  
with toplight  
and sidelight



single door  
with toplight  
and two  
sidelights



double door



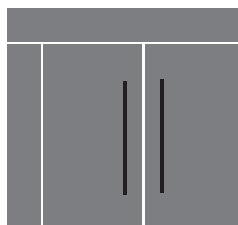
double door  
with sidelight



double door  
with two sidelights



double door  
with toplight



double door  
with toplight  
and sidelight



double door  
with toplight  
and two  
sidelights

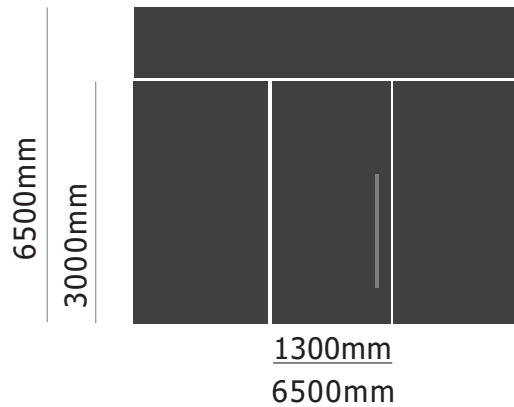


## DIMENSIONS

---

Maximum door leaf is **1300mm x 3000mm** without extensions or cills.

Maximum overall frame size is **6500mm by 6500mm**, subject to configuration and site conditions (we reserve the right to provide sidelights and top lights as separate frames with coupling sections).



## FINISHING MATERIALS

---

### Aluminium colours

Polyester powder coated RAL smooth matte finish, 70 microns minimum for high durability. Satin and gloss finishes are available at additional cost.

FCX (Colour textured) is a textured/fine structure polyester powder. Infinity glass, available in black, and grey, green, red, blue, yellow, and white (subject to frame colour for aesthetic reasons).

Inner finish by default same as outer or different on request and requires technical checking. Marine grade powder coating for coastal areas available upon request.

### Stone veneer

Certain models available with real stone veneer, applicable to exterior.

### Decor finishes

Décor panels are 2mm thermosetting polymer with an acrylic PUR-RESIN outer skin for weather protection.

Panels can be provided with either a plain colour or printed using natural fiber materials (65%). Our standard offering includes both wood and stone effect as shown in the latest Festa System Entrance Door brochure.

Other options are available by request on longer timescales.

### Infinity Pure glass finish

Please revert to technical department for availability.